

4K HDMI Single Display KVM over IP Extender

4K HDMI Single Display KVM over IP Extender with PoE

KE8950 / KE8952

ATEN is well known for delivering innovative technologies that drive connectivity and access management solutions. The ATEN KE8950 / KE8952 4K HDMI KVM over IP Extender that brings together a unique blend of features and technologies, which offers the ultimate solution for extending computers to consoles on or off the user's IT infrastructure.

Utilizing expertise in over IP KVM solutions, the KE8950 and KE8952 are IP-based HDMI KVM extenders that allow access to a computer system from a remote USB console to anywhere over an intranet. The KE8950 and KE8952 KVM over IP Extenders support one HDMI monitor at each end, providing a greatly improved video display image with 4K x 2K video resolution (up to 3840 x 2160). The KE8950 and KE8952 also support 1Gbps SFP fiber module expansions, enabling connections via fiber optic network to extend distances in transmission. Furthermore, the KE8952 features Power over Ethernet (PoE) function, and its power can be supplied through a PoE Network Switch; therefore, eliminating the need for a power adapter and effectively reduces the power configuration cost.

The 4K HDMI KVM over IP Extender consists of a Transmitter unit that connects to the computer and a Receiver unit that provides console access from a separate location. The computer is accessed from the remote console over a standard TCP / IP network via Cat 5e / 6 cable that allows point-to-point, point-to-multipoint, multipoint-to-point, and multipoint-to-multipoint administration. The KE8950 and KE8952 can be connected either directly to each other or via a high-speed network, over a copper-based or fiber-based LAN.

Implementing the KVM over IP Matrix Manager (CCKM) with KE8950 / KE8952, IT administrators receive advanced features functioning as auto detection of all KE Series Extenders on the same subnet for the sake of fast installation or configuration, username / password authentication and authorization, and the ability to define different types of connections that can be switched and shared. Security features also provide extra protection, supporting AES encryption for secured data transmissions, while RADIUS, LDAP, AD or remote user authentication provides an added layer of connection security; moreover, with an OSD, RS-232 support, and Auto MDIX, the KE series is the most cost-effective and convenient way to get a full digital extension from anywhere on the intranet.

More flexible and efficient operations can be achieved in the KVM over IP Matrix System, which integrates KE Series Extenders with the KVM over IP Matrix Manager (CCKM), such as multi-display setups, video grouping, video profile scheduling and enhancements that give greater access to quick and easy control tools to configure KE devices over a network. Whether users are configuring, monitoring, administering, controlling or extending computer access, the KVM over IP Matrix System is made adaptable, to fit an endless variety of working environments and workstation settings, as well as to provide solutions in broadcasting, control center, multimedia, manufacturing and many other industries where matrix extending is required.

KE8950R / KE8950T Front View



KE8952R / KE8952T Front View



KE8950T / KE8952T Rear View



KE8950R / KE8952R Rear View



Features

Advanced Features¹

- ATEN Matrix Link – allows users instant link transmitters and receivers, and perform real-time port and profile switching on an iPad
- Boundless Switching – simply moves the mouse cursor across screen boundaries to switch between different receivers (Rx)
- Fast Switching – switches between different remote video resolutions on a local display within 0.3 seconds
- “Push” and “Pull” – shares content instantly to / from a single Rx or video wall by just one click
- Video walls – creates multiple video walls with up to 12 x 12 (144 displays max.) in each layout
- Flexible connections – allows multiple extender and matrix connections for multi-display installations and video wall applications
- On-screen Preview (Panel Array™ Mode) – allow users to view the video of up to 36 displays on one screen
- Advanced scheduling – improves efficiency and saves costs by allowing connections to be set based on time and date
- Channel connections allow RX devices to connect to multiple TX devices – to stream video, audio, USB and serial sources independently
- Virtual transmitter – independently streams video, audio, USB, and serial sources from different Tx
- Internal and external authentication support – supports LDAP, Active Directory, RADIUS and TACACS+ external authentications
- Advanced user authorization settings – administrators can set four access modes of permissions on TX devices for collaboration or to avoid interference among users
- Video grouping of up to 4 sets of KE series devices to support Multi-Display applications
- Configurable user and group permissions for access and control of KVM over IP extenders
- Rx access control – users at the Tx local console can enable / disable Rx access by simply pressing a control button²

Note:

1. These advanced functions are supported when the KE transmitters are paired with KE receivers and managed by CCKM.
2. The KVM over IP Access Control Box (2XRT-0015G) is sold separately. Contact your ATEN dealer for product information.

Hardware

- Supports power / network failover – dual DC jacks for power redundancy and 1 RJ-45 & 1 SFP fiber ports for network failover to ensure constant availability for mission-critical applications
- Supports 1Gbps SFP fiber module expansions up to 10 km¹
- Advance processor provides lossless and low latency video transmissions up to 3840 x 2160 @ 60 Hz (4:2:0), 3840 x 2160 @ 30 Hz (4:4:4); 24-bit color depth
- Audio Enabled – supports stereo speakers and microphone
- High speed USB storage transmission support
- Auto-MDIX – automatically detects cable type
- Built-in 8KV / 15KV ESD protection and 2KV surge protection
- Fanless design for silent operations that are energy efficient
- Support 32:9 ultra-wide resolution
- Rack Mountable – Mounting options:
 - 2X-021G Dual Rack Mount Kit
 - 2X-031G Single Rack Mount Kit
- Includes an industrial-grade power adapter – supports operating temperature of 0°C- 50°C to ensure durability and adaptability under harsh environmental conditions

Note:

1. The SFP module (2A-136G / 2A-137G) is sold separately. Contact your ATEN dealer for product information.

Management

- Centralized management software – KVM over IP Matrix Manager (CCKM) allows users to easily administrator all KE devices with an intuitive web-based GUI
- Dual console operation – controls the user's system from both the transmitter's and receiver's keyboard, monitor, and mouse consoles
- OSD (On Screen Display) on the Receiver configures both units
- EDID Expert™ – selects optimum EDID settings for smooth power-up and highest quality display
- Four selectable access modes for multiple simultaneous access(Exclusive/Occupy/Share/ View only mode) – administrators can select access modes of permissions on Tx devices to boost collaboration or to avoid interference among users
- Command line interface – administrators can control all KVM over IP extenders via RS-232 or TCP/IP using a CLI or 3rd party application
- RS-232 serial ports – allow users to connect to a serial terminal for TextMenu, CLI, or serial devices such as touch screens and barcode scanners
- Supports Hotkey Commands
- Flashing LED and beeping features help locate and identify devices
- Video Compression Level – allow users to increase / decrease the video quality to adjust for appropriate network bandwidth
- Compatible with all KE devices

Security

- Dedicated LAN port for KE direct connections – can be isolated from the corporate network
- Secure data transmission – AES 128-bit encryption to secure all data before transmitted over a network and decrypts the data on the receiver
- Supports industry standard Transport Layer Security (TLS) protocol

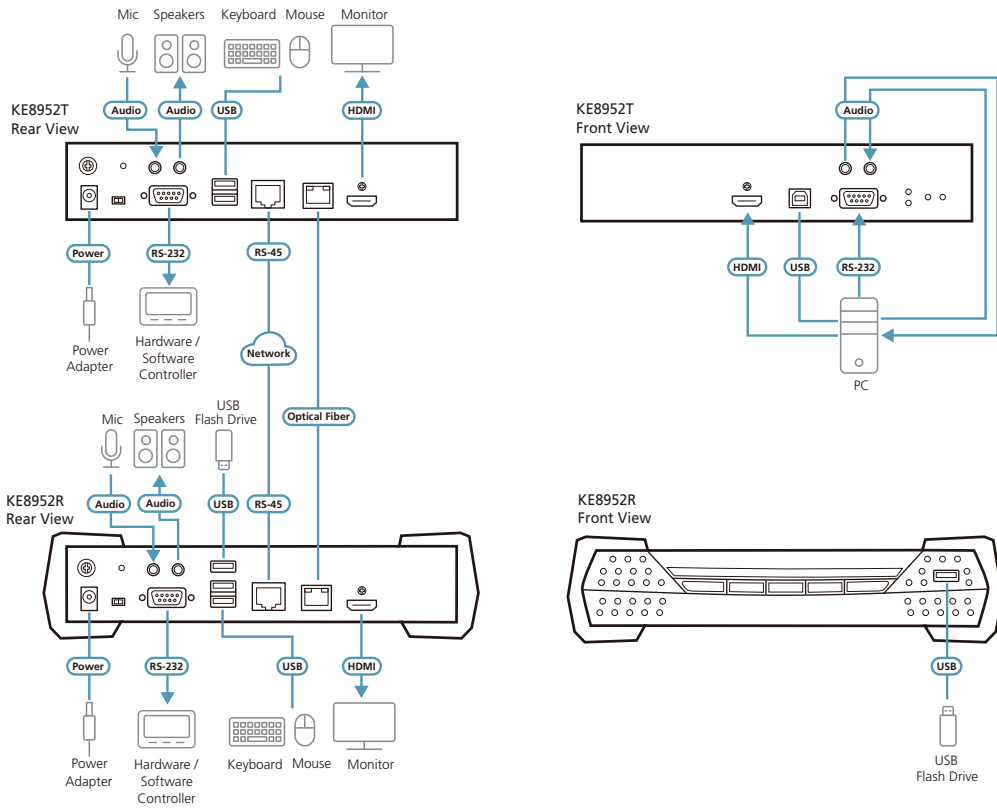
Virtual Media

- USB storage transmission mode enhances data transmission performance, ideally for file transfers, OS patching, software installations and diagnostic testing
- Supports USB 2.0 DVD / CD drives, USB mass storage devices, PC hard drives and ISO images
- Supports smart card / CAC reader

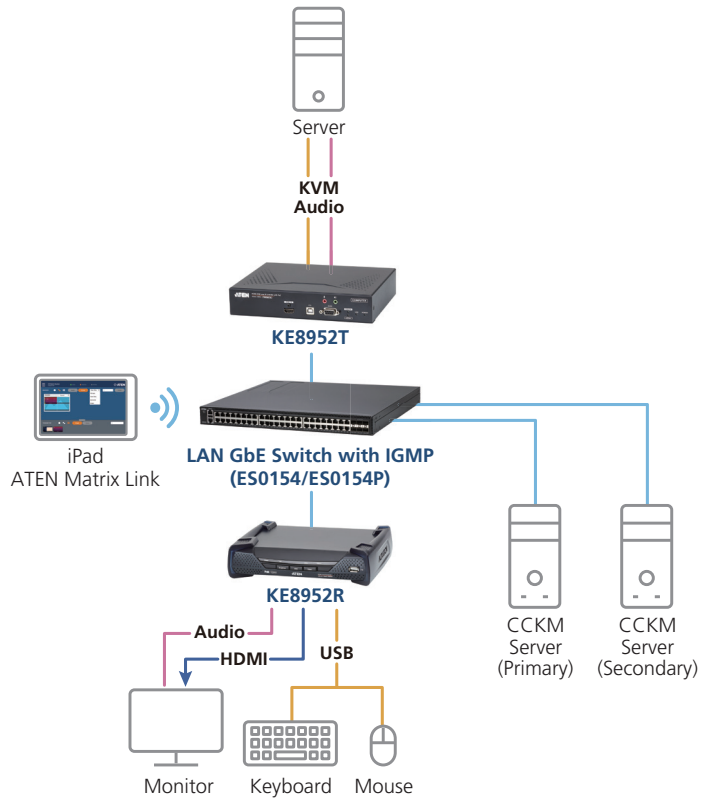
Highlights

<p>Over IP</p>	<p>The KE8950 / KE8952 extends a computer's KVM console to any distance over a LAN by connecting the Tx and Rx units to users network. The extender also extends a computer's KVM console up to 100 m by directly connecting the Tx and Rx units with a single Cat 5e / 6 cable.</p>
<p>SFP Module</p>	<p>The extender supports 1Gbps SFP fiber module expansions, enabling connections with network switch which allow inserting either an optical Fiber Channel SFP module or Active Copper SFP module. The single-mode SFP module provides 1GbE connectivity up to 10 km while the multi-mode SFP module provides 1GbE connectivity up to 550 m. Note: The SFP module is sold separately. Contact your ATEN dealer for product information.</p>
<p>Unprecedented Video Quality</p>	<p>ATEN's advanced graphics processor delivers video that ensures users to experience the same vivid and sharp image quality on the remote monitor no matter how far away the console is located. Remarkably, The KE8950 / KE8952 offers Ultra High Definition (UHD) video quality — up to 3840 x 2160 @ 60 Hz (4:2:0), 3840 x 2160 @ 30 Hz (4:4:4); 24-bit color depth.</p>
<p>Flexibility</p>	<p>KE8950 / KE8952 allow users to access, share, and switch full control of Tx connected computers - from any Rx (KVM console) on the network. The extender also allows One-to-One, One-to-Many, Many-to-One, or Many-to-Many computer to KVM console connections.</p>
<p>Advanced Management System</p>	<p>The KVM over IP Matrix Manager (CCKM) allow users to easily administer all KE8950 / KE8952 devices over a network, using an intuitive user-friendly web based GUI.</p>
<p>Boundless Switching</p>	<p>The extender simply moves the mouse cursor across screen boundaries to switch between different receivers. The function expedites the process of switching between receivers for a smooth and hassle-free user experience and enables immediate monitoring and management of receivers. Note: These advanced functions are supported when the KE transmitters are paired with KE receivers and managed by CCKM.</p>

KE8952 Diagram



Scenario Diagram



Specifications

	KE8950R	KE8952R	KE8950T	KE8952T
Connectors				
USB Port	2 x USB Type-A Female (White)		N/A	
Console Ports	2 x USB Type-A Female (White) 1 x HDMI Female (Black) 1 x Mini Stereo Jack (Green) 1 x Mini Stereo Jack (Pink) 1 x DB-9 Male (Black)			
KVM Ports	N/A		1 x USB Type-B Female (White) 1 x HDMI Female (Black) 1 x Mini Stereo Jack (Green) 1 x Mini Stereo Jack (Pink) 1 x DB-9 Female (Black)	
Power	1 x DC Jack (Black)			
LAN Ports	1 x RJ-45 (Black) 1 x SFP Slot	1 x RJ-45 (Black, PoE) 1 x SFP Slot	1 x RJ-45 (Black) 1 x SFP Slot	1 x RJ-45 (Black, PoE) 1 x SFP Slot
Switches				
OSD	1 x Pushbutton		N/A	
Video	1 x Pushbutton		N/A	
Graphics	1 x Pushbutton		N/A	
Reset	1 x Semi-recessed Pushbutton			
LEDs				
10/100/1000 Mbps	1 (10: Orange / 100: Orange & Green / 1000: Green)			
Power	1 (Blue)			
Local	1 (Green)			
Remote	1 (Green)			
Emulation				
Keyboard / Mouse	USB			
Power Consumption	DC5V:5.65W	POE:7.06W	DC5V:6.56W	POE:9.02W
Video Resolution	3840 x 2160 @ 60Hz (4:2:0), 3840 x 2160 @ 30 Hz (4:4:4)			
Environmental				
Operating Temperature	0 – 50 °C			
Storage Temperature	-20 – 60 °C			
Humidity	0 – 95% RH, Non-condensing			
Physical Properties				
Housing	Metal			
Weight	1.23 kg	1.26 kg	1.10 kg	1.13 kg
Dimensions (L x W x H)	22.75 x 17.16 x 5.48 cm		21.50 x 16.29 x 4.18 cm	

ATEN International Co., Ltd.

3F., No.125, Sec. 2, Datung Rd., Sijhih District., New Taipei City 221, Taiwan
Phone: 886-2-8692-6789 Fax: 886-2-8692-6767
www.aten.com E-mail: marketing@aten.com

Product information is subject to change without prior notice.

Released: 04/2024 V7.0

© Copyright 2024 ATEN® International Co. Ltd.
ATEN and the ATEN logo are registered trademarks of ATEN International Co., Ltd.
All rights reserved. All other trademarks are the property of their respective owners.
The terms HDMI, HDMI High-Definition Multimedia Interface, and the HDMI Logo are trademarks or registered trademarks of HDMI Licensing Administrator, Inc.

